



ADAPTADORES

ADAPTERS/ADAPTADORES



PRIBZ-1018104

KIT ZF 12-AS-1800/16-AS-2200/2301/2601

Especificaciones Técnicas

Technical Specifications

Especificações Técnicas

Par Nominal Torque Torque	Continuo Continuous Continuo	600
	Intermitente Intermittent Intermitente	840
Potencia (1000 r.p.m) Power Poder		85 C.V // 64 kW (1000 r.p.m)
Aplicación Application Aplicação		Para convertir tomas de fuerza ZF S6-90 en 12 AS 1800/ 16 AS 2200 12 AS 2301/16 AS 2601 To convert power take-offs ZF S6-90 into 12 AS 1800/ 16 AS 2200 12 AS 2301/16 AS 2601 Para converter tomadas de força ZF S6-90 em 12 AS 1800/ 16 AS 2200 12 AS 2301/16 AS 2601
Peso Weight Peso		3.13 Kg
Estrías Splines Estrías		14

Relación Motor - Toma de Fuerza

Engine to PTO Ratio

Relação

Relación Motor - Toma de Fuerza Engine to PTO Ratio Relação	Relación Relation Relação	Ratio Ratio Ratio
12AS-2330 TD / 12AS-1630 TD / 1930 TD/ 2130 TD/ 2140 TD / 2340 TD/ 2430 TD/ 2540 TD	/15.86-1.0	1: 0,82
12AS-2331 TD / 12AS-1631 TD/ 1931 TD/ 2131 TD/ 2141 TD / 2301 TD/ 2341 TD/ 2431 TD (+IT)		
12AS-1800	/14.89-1.0	1: 0.76
12AS-1800 (+IT)		
12AS-1930 TO/2130 TO/2330 TO / 2530 TO	/12.33-0.78	1: 1,35
12AS-1931 TO/2131 TO/2301 TO 2331 TO/ 2531 TO (+IT)		
12AS-2540 TO/ 2740 TO/ 2940 TO	/12.29-0.78	1: 1,35
12AS-2541 TO/ 2741 TO/ 2941 TO/ 3141 TO (+IT)		
16AS-2200	/15.89-1.0	1: 0,71
16AS-2200 (+IT)		
16AS-2230 TD/ 2601 TD	/17.03-1.0	1: 0,76
16AS-2231 TD/ 2601 TD (+IT)		
16AS-2601 TO/ 2630 TO	/14.12-0.83	1: 1,11
16AS-2601 TO/ 2631 TO (+IT)		

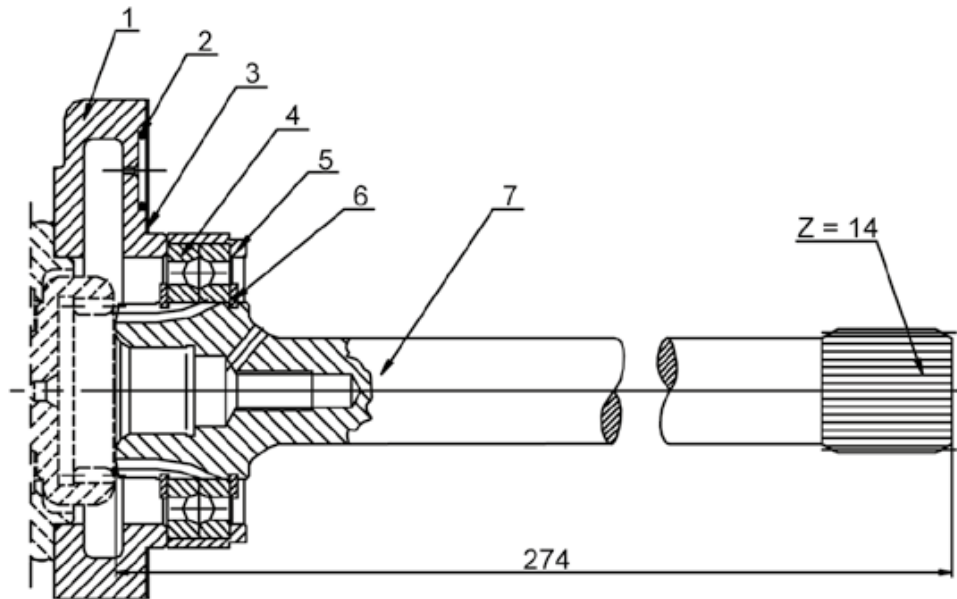


ADAPTADORES

ADAPTERS/ADAPTADORES

PRIBZ-1018104

Plano Técnico Technical Drawing Plano Técnico



1	Brida Separadora Spacer Flange Flange Espaçador
2	Junta Tórica O-ring Anel-o
3	Junta Plana Gasket Junta Plana
4	Rodamiento Rígido de Bolas 6009 Ball Bearing 6009 Rolamento de Esferas 6009
5	Arandela Separadora Spacer Washer Arruela Espaçadora
6	Anillo Seeger DIN 471 Circlip DIN 471 Anel seeger DIN 471
7	Eje Adaptador Adapter Shaft Eixo Adaptador